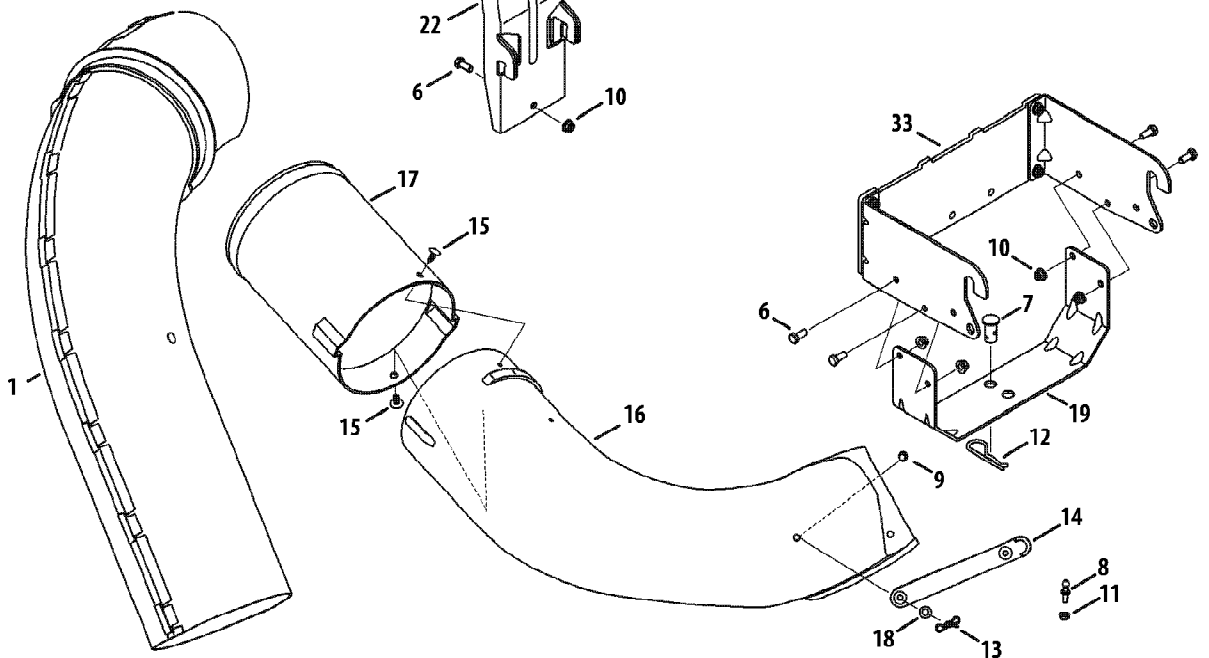
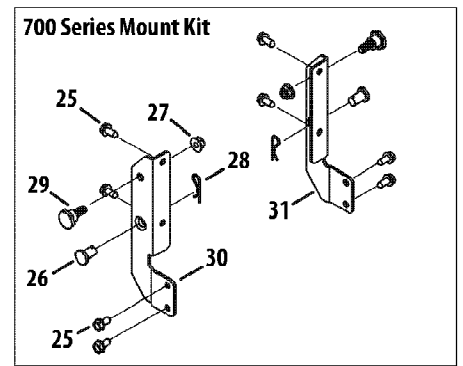
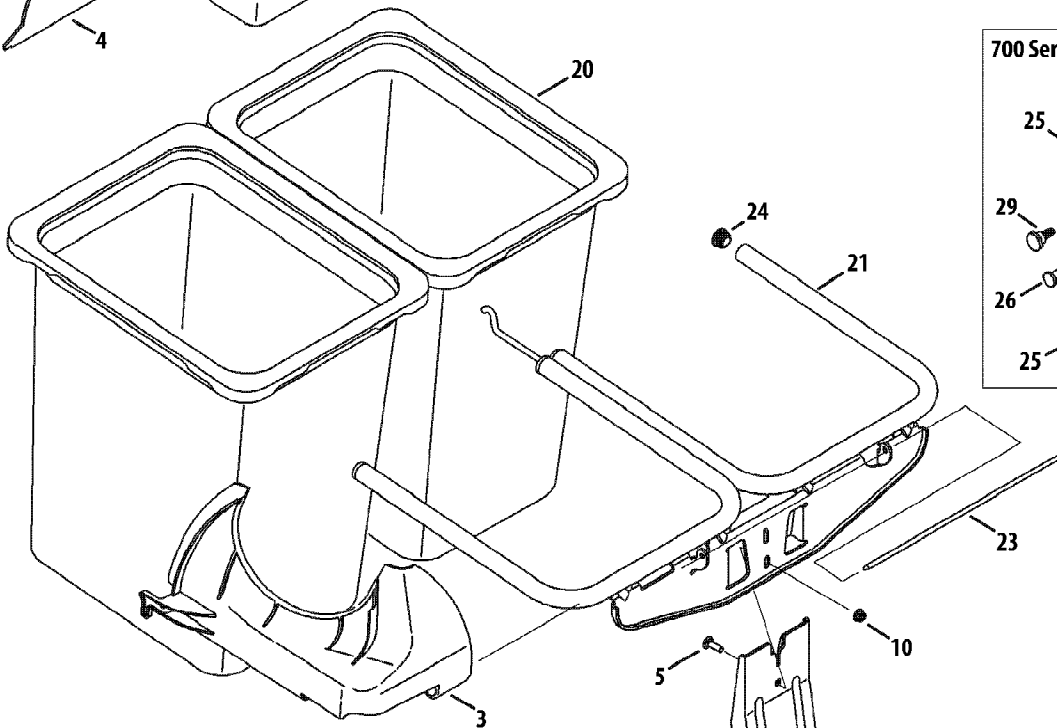
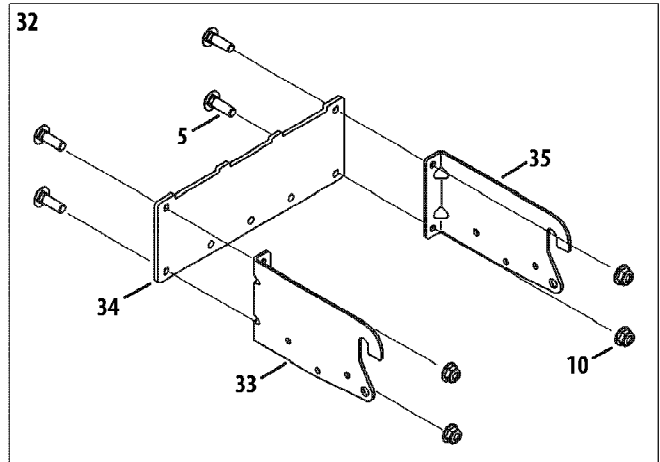
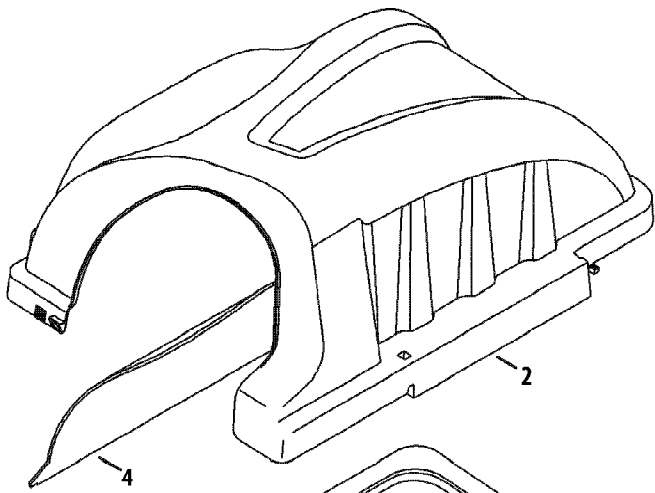


OEM-190-180A Twin Rear Bagger (2010)
General Assembly Bagger



OEM-190-180A Twin Rear Bagger (2010)
General Assembly Bagger

Page 2 of 2

Ref #	Part Number	Qty	S/P/F	Description
1	931-04291	1	/P	Upper Chute Assembly
2	931-04292	1	/P	Double Bagger Cover Assembly
3	731-06497	1		Upper Chute Support
4	731-06504	1		Bagger Cover Screen
5	710-0276	1	/P	Carriage Screw, 5/16-18 x 1.00"
6	710-3008	1	/P	Hex Head Screw, 5/16-18 x .75"
7	711-0309A	1	/P	Clevis Pin, .62" Dia.
8	911-04069	1	/P	Grass-catcher Pin, 1/4-20
9	711-05063	1		Clevis Pin, 5/16 x .75 Lg.
10	712-04063	1	/P	Flange Lock Nut, 5/16-18
11	712-04064	1	/P	Flange Lock Nut, 1/4-20
12	714-0117	1	/P	Internal Cotter Pin, .148 x 3.00
13	714-04040	1		Bow-Tie Cotter Pin, 72
14	723-04008A	1	/P	Chute Strap, 6.00 Lg.
15	726-3046	1	/P	Ratchet Clip, .250
16	731-04153A	1	/P	Discharge Chute Elbow, 38"/42"
17	731-06610	1		Bagger Chute Adapter, 7 In.
18	736-0204	1	/P	Flat Washer, .344 x .62 x .033
19	783-05887-0637	1		Universal Bracket Support, RT-99/
20	964-04096	1	/P	Grass-bag Assembly
21	683-04461	1	S	Double Bag Support Assembly
22	683-04519	1	S	Vertical Support Bracket
23	711-04988	1		Cover Hinge Pin
24	735-0246A	1		End Plug
25	710-04484	1		Tap Screw, 5/16-18 x .750
26	710-0216	1	/P	Clevis Pin, .50 x .78 Lg.
27	712-04065	1	/P	Flange Lock Nut, 3/8-16
28	914-0145	1	/P	Click Pin, .092 x 1.64 Lg.
29	738-04267	1		Shoulder Screw, .625 x .412
30	783-05889	1	S	Mounting Bracket, RH
31	783-05890	1	S	Mounting Bracket, LH
32	689-00101	1	/P	Hitch Bracket Assembly
33	N/A	1		Hitch Bracket, RH Furnish Ref. No. 32
34	N/A	1		Rear Attachment Bracket Furnish Ref. No. 32
35	N/A	1		Hitch Bracket, LH Furnish Ref. No. 32